

LVDS 7x5mm 2.5V Oscillator



F4710 SERIES

RoHS Compliant / Pb Free

Rev. 1/22/2009

FEATURES

- 2.5V Operation
- LVDS Output
- Differential Outputs
- Standby Function
- Tape and Reel (2,000 pcs. STD)

XpressO[®] Equivalent
FXO-LC72

Need a
Sample[®]

Why XpressO?

Lower Cost, Faster Delivery, Low Jitter!

• PART NUMBER SELECTION [Learn More](#) - Internet Required

Part Number	Model Number	Frequency Stability ¹	Operating Temperature (°C)	Frequency Range (MHz)
710-Frequency-xxxxx	F4710	±100PPM	-10 ~ +70	75.000 ~ 270.000
711-Frequency-xxxxx	F4710R	±100PPM	-40 ~ +85	75.000 ~ 270.000
712-Frequency-xxxxx	F4715	±50PPM	-10 ~ +70	75.000 ~ 270.000
713-Frequency-xxxxx	F4715R	±50PPM	-40 ~ +85	75.000 ~ 270.000
714-Frequency-xxxxx	F4716	±25PPM	-10 ~ +70	75.000 ~ 270.000
715-Frequency-xxxxx	F4716R	±25PPM*	-40 ~ +85	75.000 ~ 170.000
716-Frequency-xxxxx	F4718	±20PPM*	-10 ~ +70	75.000 ~ 170.000

• ELECTRICAL CHARACTERISTICS

PARAMETERS	MAX (unless otherwise noted)
Frequency Range (Fo)	75.000 ~ 270.000 MHz
Storage Temperature Range (TSTG)	-55°C ~ +125°C
Supply Voltage (VDD)	2.5V ± 5%
Input Current (IDD)	63mA
Differential Output Voltage (VOD) (Out 1 - Out 2)	0.247V ~ 0.454V (0.33V Typical)
Offset Voltage (Vos)	1.125V ~ 1.375V (1.25V Typical)
Differential Output Swing (Vop-p)	0.25Vp-p Min
Output Symmetry (Output Crossing Point)	45% ~ 55%
Rise Time (TR) (20% ~ 80% Vp-p)	0.7nS
Fall Time (TF) (80% ~ 20% Vp-p)	0.7nS
Output Load (Out 1 - Out 2)	100 Ohms Typical
Standby Current	30µA
Start-up Time (Ts)	10mS
Output Disable Time ²	200nS
Output Enable Time ²	10mS

¹ Inclusive operating temperature range, input voltage change, load change, aging, shock, and vibration. (*F4716R, F4718R: Excludes Shock/Vibration)

² An internal pullup resistor from pin 1 to pin 6 allows active output if pin 1 is left open.

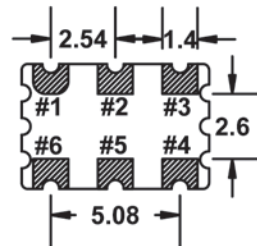
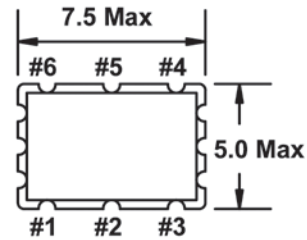
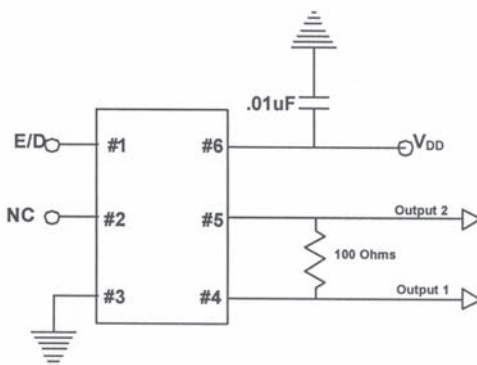
Note: A 0.01µF bypass capacitor should be placed between VDD (Pin 6) and GND (Pin 3) to minimize power supply line noise.

Drawing is for reference to critical specifications defined by size measurements.

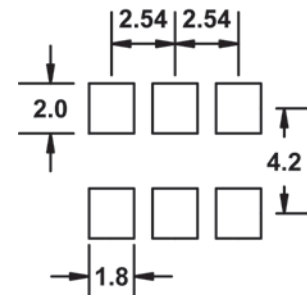
Certain non-critical visual attributes, such as side castellations, reference pin shape, etc. may vary.

All specifications subject to change without notice.

D. Recommended Circuit



Recommended Solder Pad Layout



Pin Connections

#1 E/D	#4 Output 1
#2 NC	#5 Output 2
#3 GND	#6 VDD

All dimensions are in millimeters.

• ENABLE / DISABLE FUNCTION

(Pin 1)	OUTPUT (Pin 4)	OUTPUT (Pin 5)
OPEN ²	ACTIVE	ACTIVE
'1' Level VIH ≥ 70% VDD	ACTIVE	ACTIVE
'0' Level VIL ≤ 30% VDD	High Z	High Z